



# Litestak® Status Indicator with LED Lamp

Model LSLD

## LONG LIFE LIGHT SOURCE

- Available in 24VDC and 120VAC
- Five lens colors
- 100,000 hour, vibration-resistant LED lamp
- Surface mount and integrated 3/4-inch NPT pipe mount
- Indoor use only
- Type 1 enclosure
- UL and cUL Listed and CSA Certified

Federal Signal's Litestak® status indicators are vertical columns of light that indicate status in a full 360° radius.

The Litestak Model LSLD modular indicator light system allows the user to combine up to five interchangeable lamp units with a base power unit. Modules are sold separately for a truly customized indicator.

Light modules come complete with a 100,000-hour LED lamp; LED light output coordinates with the module's impact-resistant polycarbonate lensing. LED lamps consume less power, operate at a lower temperature, and are remarkably resistant to vibration, which makes them perfect for use in heavy-duty, high vibration applications.

LED lamps are available in five colors: Amber, Blue, Clear, Green or Red. The standard double-contact bayonet base retrofits into any Federal Signal Litestak unit to replace original incandescent lamps.

An optional Sound Module (Models LSS or LSH—on page 24 and 26) can be added to the top of the Litestak column to create a dual purpose audible/visual status indicating signal. The LSS sound module allows the user to select from 32 tones via a simple dip switch panel. In applications where a single loud tone is all that is necessary, the LSH piezo-electric horn is a perfect audible addition.

Litestak is a versatile system that allows the user to select either steady burn or flash. A flasher is included on the 120VAC LSB unit only but can be purchased separately for 24VDC models. The Litestak base unit can be either surface mount or 3/4" NPT pipe mount. All Litestak models should be mounted base down.

Model	Voltage	Operating Current	Mount
LSB-024-240 <sup>1</sup>	24-240VAC/DC	N/A	3/4" NPT Pipe/Surface
LSB-120 <sup>1</sup>	120VAC 50/60Hz	N/A	3/4" NPT Pipe/Surface
LSBS <sup>1</sup>	24-240VAC/DC	N/A	Surface
LSLD-024 <sup>2</sup> -*	24VDC	80 mA	N/A
LSLD-120 <sup>2</sup> -*	120VAC 50/60Hz	45 mA	N/A

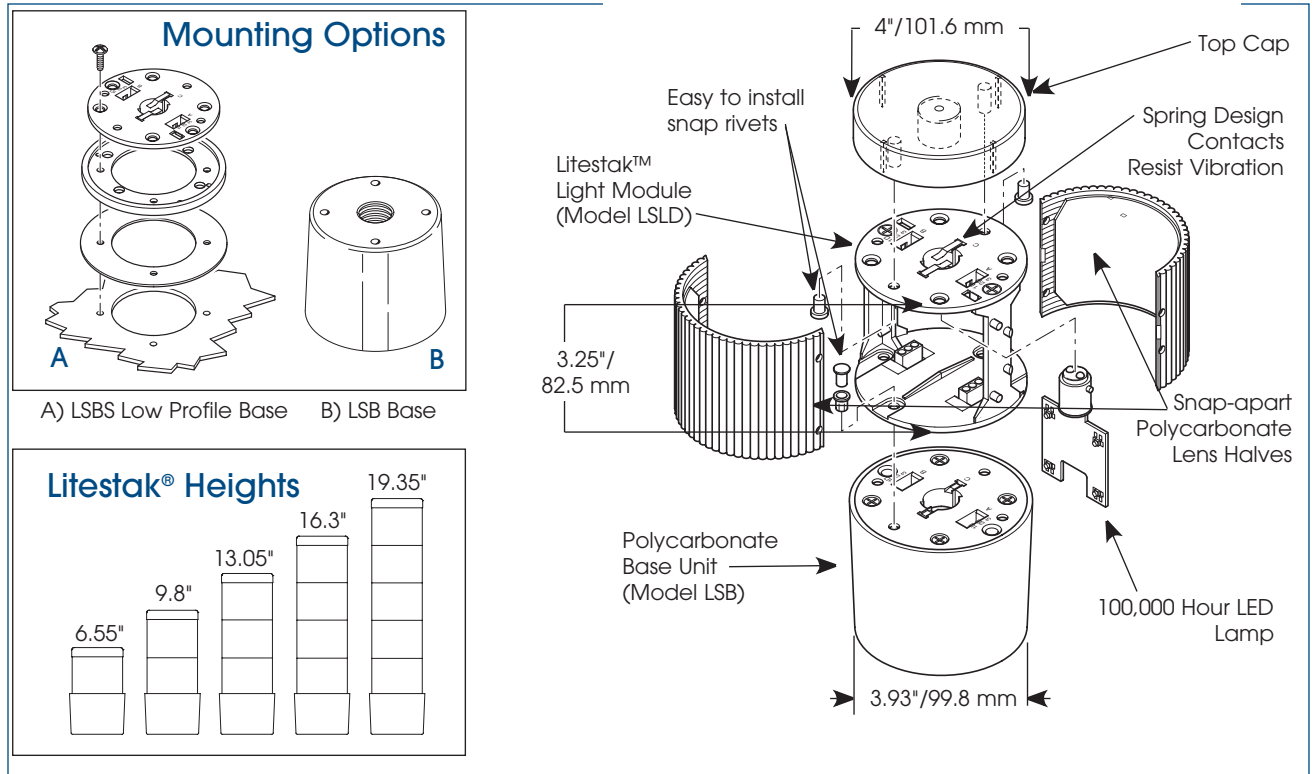
<sup>1</sup> Cap kit included.

<sup>2</sup> Includes lens, lamp and light module.

\* Indicates color: (A) Amber, (B) Blue, (C) Clear, (G) Green or (R) Red



## LITESTAK® WITH LED LAMP (LSLD)



### SPECIFICATIONS

Lamp Life:	100,000 Hours	100,000 Hours
Light Source:	LED Array	LED Array
Operating Temperature:	0°F to 120°F	-18°C to 49°C
Net Weight, LSLD:	0.45 lbs.	0.2 kg
Shipping Weight, LSLD:	0.7 lbs.	0.32 kg
LSLD Height:	3.25"	82.5 mm
LSB Height:	3.3"	83.8 mm
LSLD Diameter:	3.93"	99.82 mm
LSB Diameter:	3.93"	99.82 mm

### HOW TO ORDER

- Light modules and base modules are ordered separately
- Specify model and voltage of base unit (LSB)
- Specify model, voltage and color of light modules (LSLD)
- Specify optional sound module (page 22-23)

### REPLACEMENT PARTS

<i>Description</i>	<i>Part Number</i>	<i>Description</i>	<i>Part Number</i>
Litestak Lens Kit <sup>1</sup>	K844700352A	LED Lamp 24VDC, Amber	K8107199A
Flasher, 24VDC	K8285237A	LED Lamp 24VDC, Blue	K8107199A-03
Flasher, 120VAC	K8285239A	LED Lamp 24VDC, Clear	K8107199A-04
		LED Lamp 24VDC, Green	K8107199A-02
		LED Lamp 24VDC, Red	K8107199A-01
		LED Lamp 120VAC, Amber	K8107200A
		LED Lamp 120VAC, Blue	K8107200A-03
		LED Lamp 120VAC, Clear	K8107200A-04
		LED Lamp 120VAC, Green	K8107200A-02
		LED Lamp 120VAC, Red	K8107200A-01

<sup>1</sup> Includes 1 each of lens: Amber, Blue, Clear, Green and Red (does not include Blackout 1/2 lens), snap rivets and cap