



Streamline® Low Profile Strobe Light

Models LP3S, LP3E, LP3M

PERFECT SIZE MEETS SUPERIOR PERFORMANCE

- LP3S and LP3M are available in 12-48VDC, 120VAC and 240VAC; LP3E in 120VAC
- Surface mount, Edison mount, or integrated 1/2-inch NPT pipe mount
- Five dome colors
- Screw-on lens provides easy access
- Low profile — Model LP3S is only 5" high
- Type 4X, IP66 enclosure
- PLC and triac compatible
- UL and cUL Listed, CSA Certified and CE Approved*

* CE Approval for S and M models only.

Model LP3 is a low profile strobe light. This Type 4X strobe is available in five colors: Amber, Blue, Clear, Green and Red.

The LP3 is offered in three mounting configurations. The LP3S features a three-hole surface mount — ideal for control panels and other flat or flush surfaces. The LP3E features a standard A-19 medium Edison screw-in base. The LP3M features a 1/2" NPT male pipe mount and 18" wire leads.

Both the LP3S and LP3M include a surface gasket to complete the Type 4X installation. An optional dome guard is available for use with the LP3M when installed flush with a panel. All LP3 units feature a unique threaded screw-on lens to allow for tool free wiring and strobe tube replacement. The strobe tube is rated for 7,000 hours.

LP3 comes in three voltage variations: 12-48VDC, 120VAC and 240VAC. The state-of-the-art strobe mechanism produces 2.2 joules of energy, while drawing relatively low amperage.

StreamLine® strobes feature high-quality, long-life strobe tubes which are designed to reduce tungsten build-up for longer lamp maintenance cycles. Careful consideration is given to the relationship between tube shape and lens design for maximum light output. StreamLine products make use of surface mount technology, which provides a more powerful light in a much smaller package. The high-quality dry-electrolyte capacitor used in StreamLine products runs cooler than those used in many competitive strobes, resulting in a more reliable product that won't fail due to overheating.

Model	Voltage	Operating Current	Flash Rate/ Minute	Candela Peak ¹	ECP ²
LP3*-012/048**	12-48VDC	0.44-0.10 amps	65-95	175,000	51.5
LP3*-120**	120VAC	0.10 amps	65-95	175,000	51.5
LP3*-240**	240VAC	0.07 amps	65-95	175,000	51.5

* Indicates Mounting Style: (S) Surface Mount, (E) Edison A-19 Screw-in Base or (M) Male Pipe Mount

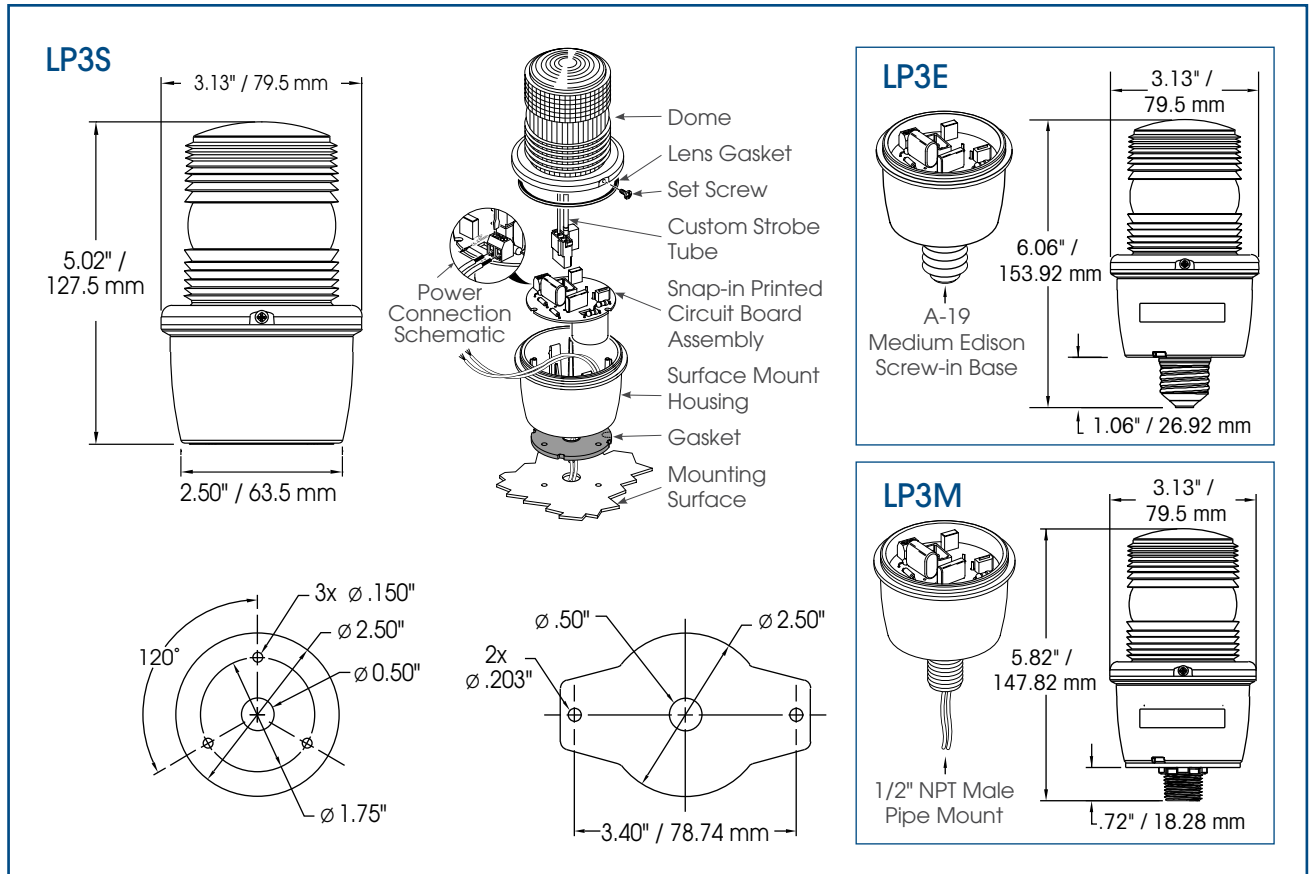
** Indicates color: (A) Amber, (B) Blue, (C) Clear, (G) Green or (R) Red

¹ Peak candela is the maximum light intensity generated by a flashing light during its light pulse

² ECP (Effective Candela) is the intensity that would appear to an observer if the light were burning steadily



STREAMLINE® LOW PROFILE STROBE LIGHT (LP3S/LP3E/LP3M)



SPECIFICATIONS

Lamp Life:	7,000 Hours	7,000 Hours
Light Source:	Strobe tube	Strobe tube
Operating Temperature:	-31°F to 150°F	-35°C to 66°C
Net Weight:	7.3 oz.	206.96 g
Shipping Weight:	8.5 oz.	240.98 g
Diameter:	3.125"	79.5 mm
Height (from bottom):		
LP3S	5.0"	127.5 mm
LP3E	6.1"	154 mm
LP3M	5.8"	147.8 mm

REPLACEMENT PARTS

Description	Part Number
Lens, Amber	K8589063A
Lens, Blue	K8589063A-01
Lens, Clear	K8589063A-02
Lens, Green	K8589063A-03
Gasket Kit ¹	K8589013A

¹ Includes gasket for LP3P, LP3S, and LP3T

HOW TO ORDER

- Specify model, voltage and color
- Optional Accessories:
Wire/Dome Guard (LP3G)
for LP3S and LP3M

