



(Shown with ceiling mount. See how to order for mounting options)

Explosion-Proof Supervised Strobe Light

Model 24XST

The Federal Signal Model 24XST Explosion Proof Strobe Light produces 60 high-intensity flashes per minute. The 24XST is UL Listed for Class 1, Division 1 & 2, Groups C & D; Class 1, Division 2, Groups A, B; Class II, Division 1, Groups E, F & G; and Class III. The 24XST is Type 4X and IP66 rated.

The 24XST features a current in-rush limiting PCB design to provide improved compatibility with inrush sensitive devices. This design limits the peak In-rush to 2A and operates on only 0.71A, when powered by 24VDC. To synchronize strobe lights purchase the Synchronization Module (SSM) separately.

The 24XST can be paired with a pendant, ceiling or wall mount. The installation process is simple, by pre-installing the mounting box, the fixture can be simply threaded onto the mounting box, making an electrical connection when the threads are engaged.

Model 24XST offers a heavy duty, copper free cast aluminum housing is sealed with a black powder coat paint. This unit is specifically designed for explosion-proof atmospheres and/or corrosive environments. The 24XST is ideal for use in areas such as oil rigs, mines, refineries, and chemical plants.

DESIGNED FOR USE IN EXPLOSION-PROOF ATMOSPHERES

- Approved for mounting in any manner— including dome up
- Available in 24VDC
- Six lens colors
- 10,000 hour strobe tube
- ¾" NPT pendant, ceiling and wall mount options available
- Dome guard optional
- Type 4X, IP66 enclosure
- Marine Rated
- UL and cUL Listed

Hazardous Location Rating:

Hazardous Location	T-Code at Maximum Ambient Temperature, °C	
	40°C	65°C
Class I, Div 1 & 2, Groups C & D	T6/85°	T4A/120°
Class I, Div 2, Groups A & B	T2/300°	T2/300°
Class II, Div 1, Groups E, F & G	T6/85°	T4A/120°
Class III	T6/85°	T4A/120°

Model	Voltage	Peak In-Rush	Operating Current @24VDC	Flash Rate/Minute	Candela ECP ²
24XST-024*-MOD ¹	24VDC	2A	0.71	60	280

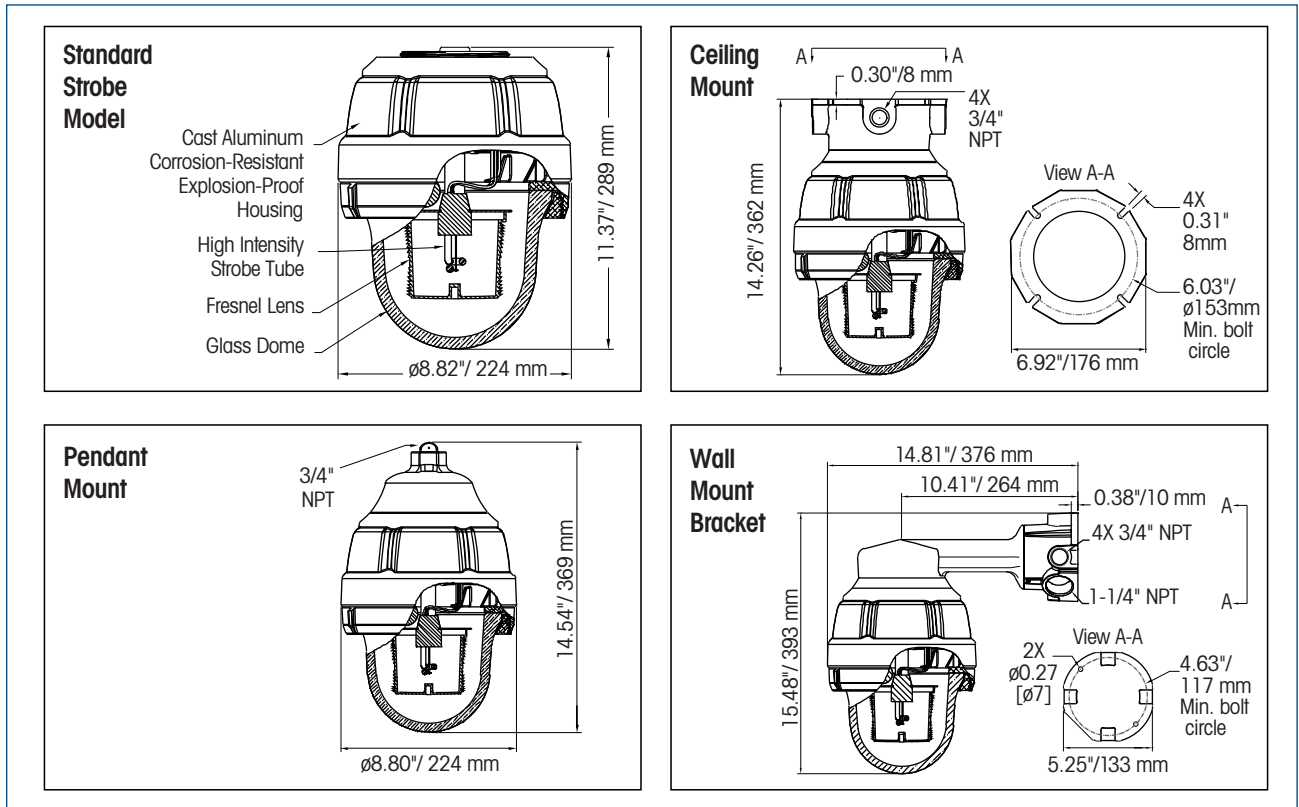
* Indicates color: (A) Amber, (B) Blue, (C) Clear, (G) Green, (M) Magenta or (R) Red

¹ See "how to order" for mounting options.

² ECP (Effective Candela) is the intensity that would appear to an observer if the light were burning steadily



EXPLOSION-PROOF SUPERVISED STROBE LIGHT (24XST)



SPECIFICATIONS

Lamp Life:	10,000 Hours	10,000 Hours
Light Source:	Strobe tube	Strobe tube
Operating Temperature Range:	-67°F to 150°F	-55°C to 65°C
Net Product Weight		
Signal without Mounting:	13.9 lbs	6.3 kg
Ceiling Mount:	4.5 lbs	2.0 kg
Pendant Mount:	2.0 lbs	0.9 kg
Wall Mount:	5.9 lbs	2.7 kg

HOW TO ORDER

Light and Mounting Kit must be ordered together.

1. Specify model, voltage and color
2. Specify Mounting Kit

Ceiling Mount (CMXC-SB)
 Pendant Mount (PMXC-SB)
 Wall Mount (WMXC-SB)

- Optional Accessories:
 Dome Guard (DGXC-SB)
 Synchronization Module (SSM)

REPLACEMENT PARTS

Description	Part Number	Description	Part Number
Exterior Dome Assembly, Clear	K8436147A	24VDC Mechanism	K8436107F-05
Interior Lens Assembly, Amber	K8550C095A-02	Strobe Tube	K8107159A
Interior Lens Assembly, Blue	K8550C095A-01		
Interior Lens Assembly, Clear	K8550C095		
Interior Lens Assembly, Green	K8550C095A-04		
Interior Lens Assembly, Magenta	K8550C095A-07		
Interior Lens Assembly, Red	K8550C095A-03		