



► 2000 Series Models XEN1 and XEN4

# Explosion-Proof Strobe Lights

Designed for use in ATEX zone rated atmospheres

The 2000 Series Models XEN1 and XEN4 Xenon beacons are visual warning lights for use in hazardous locations that require ATEX approval. Model XEN1 is a strobe light that contains a single xenon flashing tube. This makes it ideally suited for use in indoor explosion-proof areas that require compliance to European electrical safety directives.

Model XEN4 is a strobe light that utilizes four strobe tubes, timed in a sequential manner, to simulate the operation of a mechanical rotating beacon. This four-strobe version is ideal in outdoor situations where a conventional beacon may not be adequate.

The 2000 Series Xenon beacon is sealed from dust and water by a nitrile rubber o-ring seal. All exterior cast aluminum surfaces are finished in powder coat paint and external hardware is manufactured from stainless steel to resist corrosion. Available signal colors are Amber, Blue, Clear Green, Red and Yellow. An optional telephone initiation feature is also available for either beacon that allows the product to flash when telephone ringing voltage is present.

The 2000 Series Xenon beacon is externally powered by a DC or AC power source. Screw type terminal blocks are provided for field wiring on all units.

All variations of the 2000 Series Xenon beacon feature a four entry fixture to allow cable looping. These cable entries are metric (M20 X 1.5) but other configurations are available upon request.

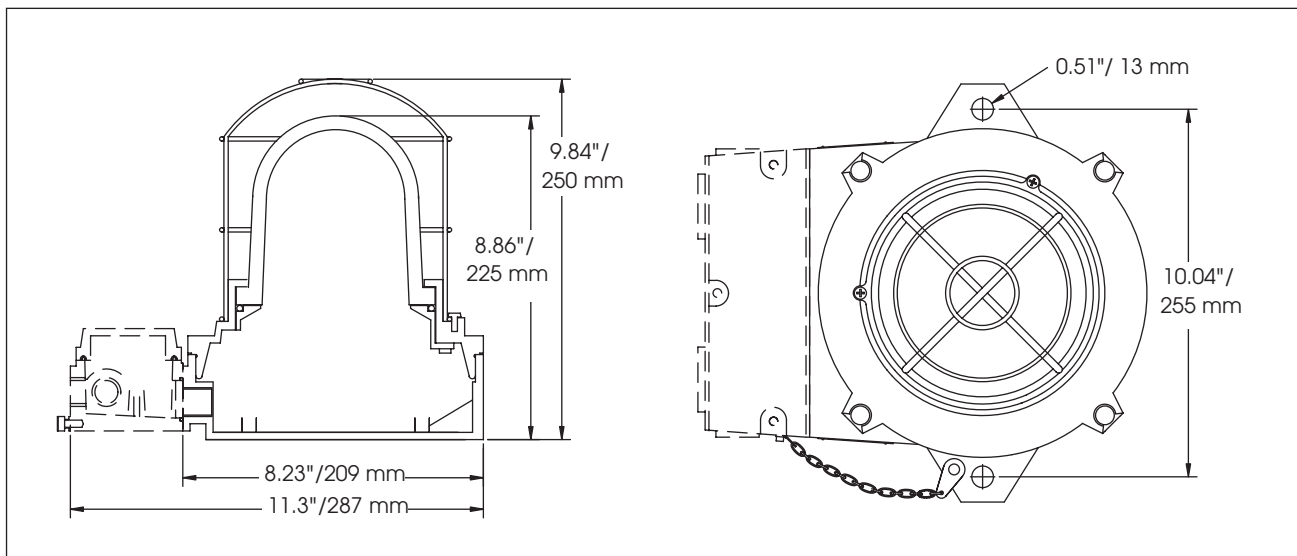
## FEATURES

- Single and four tube models
- Internal fresnel lens (sold separately)
- Six dome colors:  
Amber, Blue, Clear, Green, Red and Yellow
- Ex 'e' terminal chamber available
- AC and DC voltage ranges
- Approved for use in Zone 1, 2, 21, 22 Atmospheres

MODEL	VOLTAGE	OPERATING CURRENT	FLASH RATE/ MINUTE
<b>XEN1</b>	24VDC	0.93 amps	80
	48VDC	0.81 amps	80
	110VDC	0.61 amps	80
	110VAC	0.48 amps	80
	240VAC	0.38 amps	80
<b>XEN4</b>	24VDC	1.90 amps	N/A
	48VDC	1.22 amps	N/A
	110VDC	0.92 amps	N/A
	110VAC	0.53 amps	N/A
	240VAC	0.41 amps	N/A

Specify color: (A) Amber, (B) Blue, (C) Clear, (G) Green, (R) Red or (Y) Yellow

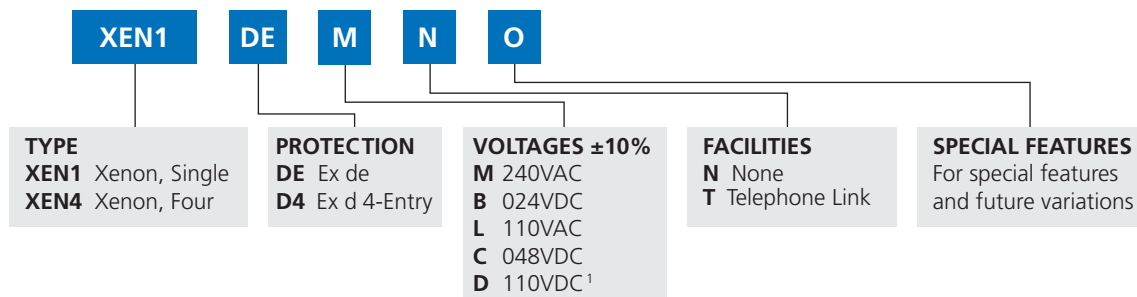
# Explosion-Proof Strobe Lights (2000 Series XEN1/XEN4)



## SPECIFICATIONS

Lamp Life:	5,000 Hours	5,000 Hours	Certification Marking:	Ex d IIB T4 Gb, Ex tb IIIB Db Ex de IIB T4 Gb, Ex tb IIIB Db
Light Source:	Xenon	Xenon	Terminals:	Ex d: 4 way block mounted PCB
Operating Temperature:			Ex de:	12 way block in terminal chamber
Ex d and Ex de:	-40°C to 158°F	-40°C to 70°C	Cable entries:	Ex d: 4 entries - M20 x 1.5
Net Weight:			Ex de:	4 entries - M20 x 1.5
Ex d:	13.23 lbs.	6.0 kg	Mounting:	Via fixed cast lugs at two mounting points
Ex de:	15.43 lbs.	7.0 kg	Body:	Marine Grade Alloy painted Regal Red
Shipping Weight:	16.5 lbs.	7.5 kg	Exterior dome:	Toughened glass
Height:	9.84"	250 mm	Guard:	316 stainless steel
Width:	10.04"	255 mm	Ingress Protection:	IP66
Length:	8.23"	209 mm		
ATEX Certificate Number:	Baseefa 07ATEX0150			
IECEX Certificate Number:	IECEX BAS 07.0038			

## HOW TO ORDER



### Colored Xenon Lens Sold Separately:

Description	Part Number
Amber	A1131S
Blue	A1111S
Clear	A2133S
Green	A1198S
Red	A1779S
Yellow	A3410S

¹ Range 100VDC to 135VDC with xenon beacons (inclusive of ±10%).

