



Models 131ST and 131DST

Starfire® Strobe Warning Lights

Our brightest medium duty strobe light



Federal Signal's Starfire® strobe warning lights are available in single-flash (131ST) and double-flash (131DST) models. Through precise timing of the strobe flash, the double flash unit produces 1,200 effective candela; the single flash unit produces 1,000 effective candela.

Starfire models are available in 12-24VDC and 120VAC (50/60Hz). All units are less than nine inches high and six inches in diameter, but powerfully effective.

Starfire strobe warning lights contain their own strobe power supply in the base of the light. The strobe flash tube is mounted in an eight-pin octal socket base. The fresnel dome stands up to impact and abuse and is available in Amber, Blue, Clear, Green and Red. The base of the light is made of corrosion-resistant anodized aluminum. Each Starfire model comes with a standard 1/2-inch NPT pipe mount. An optional surface mount can be ordered.

Because of its convenient size and intense light output, the Starfire strobes can be used for multiple applications. Excellent for in-plant use, the Models 131ST/DST warn of hazardous conditions, mark dangerous areas (either permanently or temporarily) and mount on lift trucks, cranes and other moving devices. These powerful strobes can be used on emergency, utility, maintenance or other vehicles requiring emergency warning.

FEATURES

- Available in 12-24VDC and 120VAC
- Five dome colors: Amber, Blue, Clear, Green and Red
- 10,000 hour strobe tube
- Single or double flash strobe
- 1/2-inch NPT pipe mount
- Indoor/outdoor use
- Type 3, IP54 enclosure (Dome up orientation)
- UL and cUL Listed and CSA Certified

MODEL	VOLTAGE	OPERATING CURRENT	FLASH RATE/ MINUTE	CANDELA		MOUNT ⁴
				PEAK ¹	ECP ²	
131DST-012-024 *	12-24VDC	3.0-1.9 amps	80 ³	1,000,000	1,200	1/2" NPT Pipe
131DST-120 *	120VAC	0.60 amps	80 ³	1,000,000	1,200	1/2" NPT Pipe
131DST-240 *	240VAC	0.30 amps	80 ³	1,000,000	1,200	1/2" NPT Pipe
131ST-012-024 *	12-24VDC	2.75-1.25 amps	80	2,000,000	1,000	1/2" NPT Pipe
131ST-120 *	120VAC 50/60Hz	0.60 amps	80	2,000,000	1,000	1/2" NPT Pipe
131ST-240 *	240VAC 50/60Hz	0.30 amps	80	2,000,000	1,000	1/2" NPT Pipe

*Indicates color: (A) Amber, (B) Blue, (C) Clear, (G) Green or (R) Red

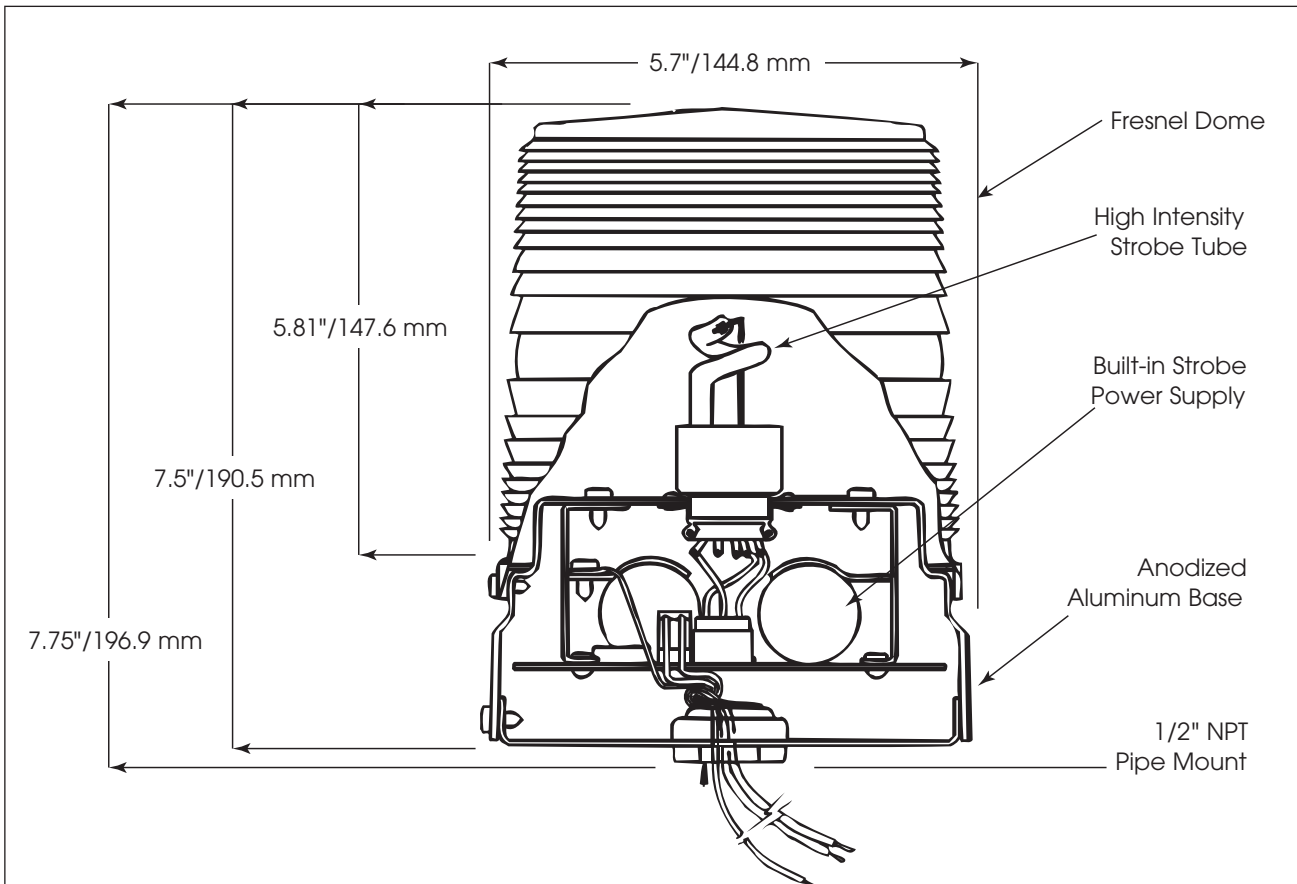
¹ Peak candela is the maximum light intensity generated by a flashing light during its light pulse

² ECP (Effective Candela) is the intensity that would appear to an observer if the light were burning steadily

³ Double Flash

⁴ Surface mount kits available

Starfire® Strobe Warning Light (131ST/131DST)



SPECIFICATIONS

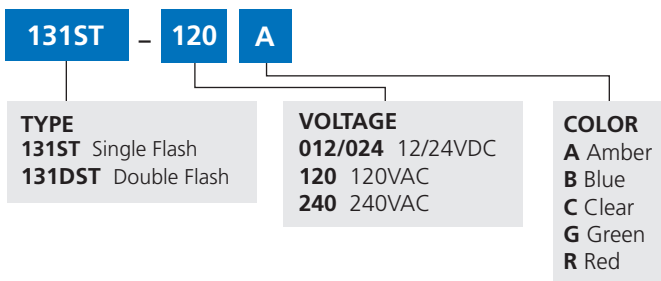
Lamp Life:	10,000 Hours	10,000 Hours
Light Source:	Strobe tube	Strobe tube
Operating Temperature Range:	-31°F to 150°F	-35°C to 66°C
Net Weight:	2.0 lbs.	1.0 kg
Shipping Weight:	3.4 lbs.	1.5 kg
Height:	8.5"	215.9 mm
Width:	5.7"	144.8 mm

REPLACEMENT PARTS

Description	Part Number
Dome, Amber ¹	K8422B428A-01
Dome, Blue ¹	K8422B428A-02
Dome, Clear ¹	K8422B428A
Dome, Green ¹	K8422B428A-03
Dome, Red ¹	K8422B428A-04
Strobe Tube	K8107178A
Surface Mount Kit	K8444A211B

¹ Includes dome gasket

HOW TO ORDER



Specify Optional Accessories:

- LCMB2** – Corner Bracket
- LWMB2** – Wall Bracket
- K8444A211B** – Surface Mount

